

Evans Capacitor Company	PRODUCT SPECIFICATION HYBRID® CAPACITOR	NUMBER	THQS2
		ISSUE	01
		REVISION	D
		DATE	6/01

1.0 SCOPE

This document contains specific electrical, mechanical, and environmental requirements and specifications for THS2 series tantalum case shock hardened Hybrid® Capacitors.

2.0 REQUIREMENTS

2.1 GENERAL ENVIRONMENTAL

2.1.1	Operating Temperature	-55°C to +85°C
2.1.2	Storage Temperature	-62°C to +90°C

2.2 Electrical Requirements

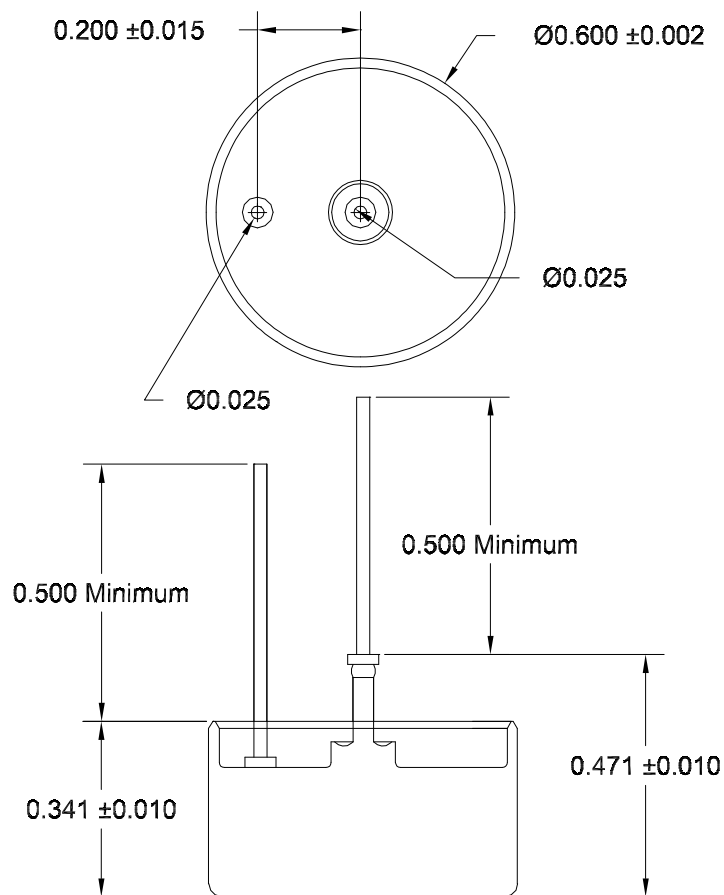
2.2.1	Capacitance	C ± 20% @120Hz @ 21°C
2.2.2	Working Voltage Rating	0v to V
2.2.3	Surge Voltage Rating	See below
2.2.4	DC Leakage Current	See below @V & 21°C
2.2.5	Equivalent Series Resistance	See below @1kHz & 21°C

V (VDC)	Capacitance	Part Number	Surge Voltage	DCL	ESR (ohm)
6.3 V	15,000 µF	THQS206153	7 V	<50µA	<0.20
8 V	13,000 µF	THQS208133	8.8 V	<50µA	<0.20
10 V	10,000 µF	THQS210103	11 V	<50µA	<0.20
16 V	6,000 µF	THQS216602	17.6 V	<50µA	<0.20
25 V	4,400 µF	THQS225442	27.5 V	<50µA	<0.20
35 V	2,900 µF	THQS235292	38.5 V	<50µA	<0.25
50 V	1,500 µF	THQS250152	55 V	<50µA	<0.25

2.3 MECHANICAL REQUIREMENTS

2.3.1	CASE	CAPACITOR SHALL BE ENCLOSED IN A WELDED, HERMETIC, LEADED CASE. CASE MATERIAL IS TANTALUM
2.3.2	TERMINATIONS	LEADS SHALL BE TINNED COPPER OF SUFFICIENT CROSS-SECTIONS TO WITHSTAND SHORT CIRCUIT CAPACITOR DISCHARGE CURRENT.
2.3.3	WEIGHT	8 GRAMS
2.3.4	PACKAGE	PER SKETCH BELOW

DIMENSIONS IN INCHES



SPECIFICATIONS SUBJECT TO CHANGE WITHOUT NOTICE.